

The N-8000MI is a multi-interface unit designed for use with TOA's packet intercom system (IP network-compatible intercom system) that employs the packet audio technology. Connecting the multi-interface to a local area network permits the ideal system for in-house or wide-area information transmission applications, such as paging, periodical broadcasts, and background music broadcasts, to be built between the multi-interface and IP intercom exchange or other multi-interface unit. The contact bridge function can be realized through contact input and output control. The N-8000MI also features the tie-line function to be connected to the EXES-2000 intercom system or the EXES-6000 system. A total of up to 192 multi-interface units and IP intercom exchanges can be connected to a network. The unit can be mounted in an EIA standard rack (1-unit size) or to a wall using the supplied bracket.

SPECIFICATIONS

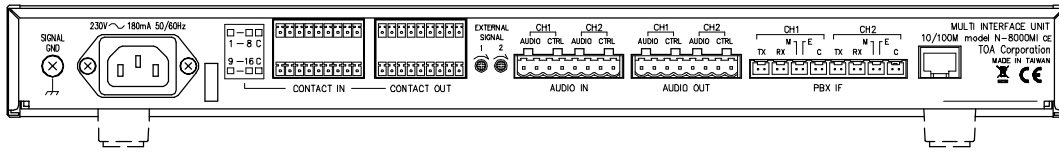
(*1) 0 dB = 1 V, (*2) 0 dB = 0.775 V

Power Source	230 V AC, 50/60 Hz
Power Consumption	19 W (180 mA) (at rated), 24 W (230 mA) (max.)
Audio Input (*3)	Input: 2 inputs (2 P/input), Max. 0 dB (*1), 600 Ω or less, balanced, with a semi-fixed volume for adjustment (0 to -25 dB) Control: 2 inputs (2 P/input), no-voltage make contact input, open voltage: 12 V DC, short-circuit current: 10 mA Removable terminal block (8 pins)
Audio Output (*3)	Output: 2 outputs (2 P/output), Max. 0 dB (*1), 600 Ω or less, balanced Control: 2 outputs (2 P/output), relay contact output, contact capacity: 24 V DC/0.5 A Removable terminal block (8 pins)
Contact Input (*3)	16 inputs, no-voltage make contact input, open voltage: 12 V DC, short-circuit current: 10 mA, removable terminal block (18 pins)
Contact Output (*3)	16 outputs, relay contact output, contact capacity: 24 V DC/0.5 A, removable terminal block (18 pins)
PBX I/F (*3)	PBX input and output: 2 channels, Max.: 0 dB (*2) or less, Average: -15 dB (*2) or less, 600 Ω, balanced, mini-clamp connector (2 pins), with adjustment functions for both input and output (Input: 0 to +15 dB, Output: -15 to 0 dB), Analog E & M interface
Tie-line I/F (*3)	Tie-line input and output: 2 channels, Max.: 0 dB (*2) or less, Average: -15 dB (*2) or less, 600 Ω, balanced, mini-clamp connector (2 pins) Signal method: EXES-2000/EXES-6000 tie-line method Selective signal: DTMF signal
Network Section	Network I/F: 10BASE-T/100BASE-TX (Automatic-Negotiation) Network protocol: TCP/IP, UDP, HTTP, RTP, ARP, ICMP, IGMP Audio packet transmission system: Unicast, Multicast Number of paging destinations: Unicast (max. 16), Multicast (max. 191) Connector: RJ45 connector Voice sampling frequency: 16 kHz, 8 kHz (controllable on the software) Quantifying bit number: 16-bit Voice encoding method: Sub-band ADPCM, Cryptosystem Voice packet loss recovery: Silence insertion Audio delay time: 80 ms, 320 ms (controllable on the software)
Indication	Network LNK/ACT indication, Status lamp, Power-on indication lamp
Others	Firmware update function, System registration data entry hold facility, Time of day hold facility, Reset switch (front panel)
Installation Method	Rack, Desk, Surface mount
Operating Temperature	0 °C to +40 °C
Operating Humidity	90 %RH or less (no condensation)
Finish	Pre-coated steel plate, black, 30 % gloss
Dimensions	420 (W) X 44.3 (H) X 239.5 (D) mm
Weight	2.8 kg
Accessory	AC power cord (2 m) ---1, CD (for PC setting, maintenance use) ---1, Mini-clamp plug (2 pins) ---10, Removable terminal plug (8 pins) ---2, Removable terminal plug (9 pins) ---4, Plastic foot ---4, Screw for fitting plastic foot ---4, Rack mounting bracket ---2, Screw for rack mounting ---4, Wall mounting bracket ---2, Screw for mounting bracket ---8, Screw for wall mounting ---4

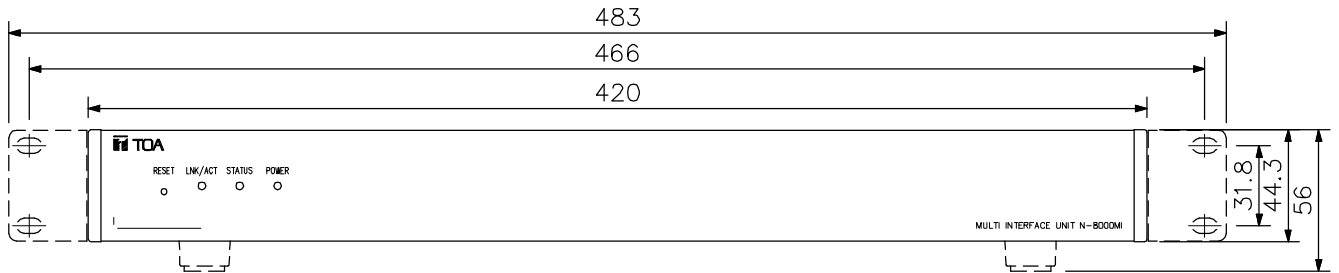
(*3) Each input and output can be combined in the following 9 patterns:

I/F type	Combination pattern								
	1	2	3	4	5	6	7	8	9
PBX - 1	○	○	○	—	—	—	—	—	—
PBX - 2	○	—	—	○	○	—	—	—	—
Tie-line - 1	—	—	—	○	—	○	○	—	—
Tie-line - 2	—	○	—	—	—	○	—	○	—
Audio output - 1	—	—	—	—	○	—	—	○	○
Audio output - 2	—	—	○	—	—	—	○	—	○
Audio input - 1	—	—	—	—	○	—	—	○	○
Audio input - 2	—	—	○	—	—	—	○	—	○
Contact output	○	○	○	○	○	○	○	○	○
Contact input	○	○	○	○	○	○	○	○	○

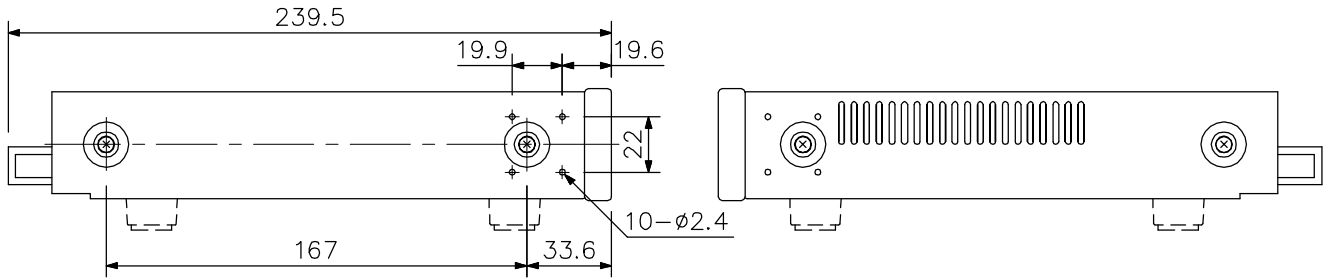
■ APPEARANCE



Rear View

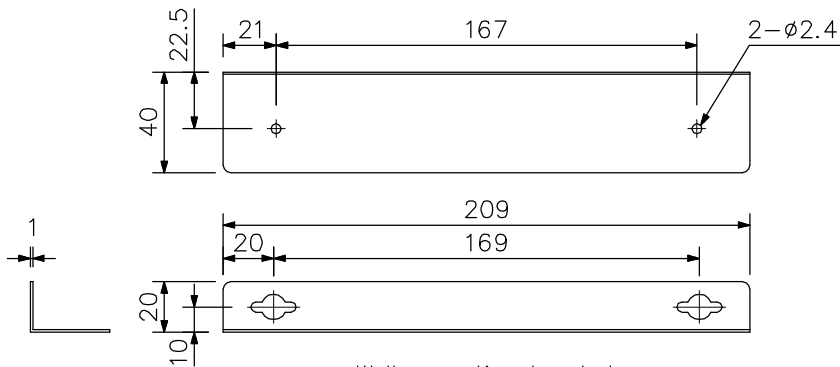


Front View



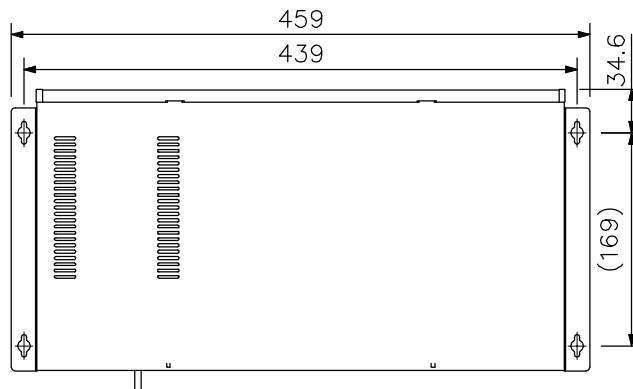
Left Side View

Right Side View



Wall mounting bracket
(accessory)

Dimensions of wall mounting hole
(scale: 1/1)



Wall mounting installation
(scale: 1/6)

UNIT: mm SCALE: 1/3